



400 Series TPED Drop In Place Ball Valves

Applications

High flow ball valves for trailer use, compressors, dispensers, priority panels, isolation and ground storage.

Suitable for Hydrogen, RNG, CNG, Biogas, Helium, Nitrogen. Check with Oasis for compatibility with other gases.



BV404-6P4TCDW-GT00

Materials

Item	Part	Material
1	Body & Cap	Stainless Steel
2	Ball	Stainless Steel
3	Stem	Stainless Steel
4	Seats	PEEK
5	Thrust washer	POM

Item	Part	Material
6	Gland	POM
7	O-rings	FKM
8	Backup rings	NBR
9	Handle	Stainless Steel
10	Mount brackets	Stainless Steel

Product Information

Type Tested to ISO23826.

Certified to TPED 2010/35/EU, Pi marked.

All products are manufactured to ISO 9001 standards.

520 bar working pressure.

650 bar MAWP (Maximum Allowable Working Pressure).

MP threads to Maximator document 3999.1831.

Features & Benefits

All materials are suitable for use in Hydrogen applications.

Easy to service, kits readily available.

Quarter turn handle.

Anti blow-out stem.

Manufactured from certified bar stock.

Lockout system available on request to prevent accidental operation of valve.

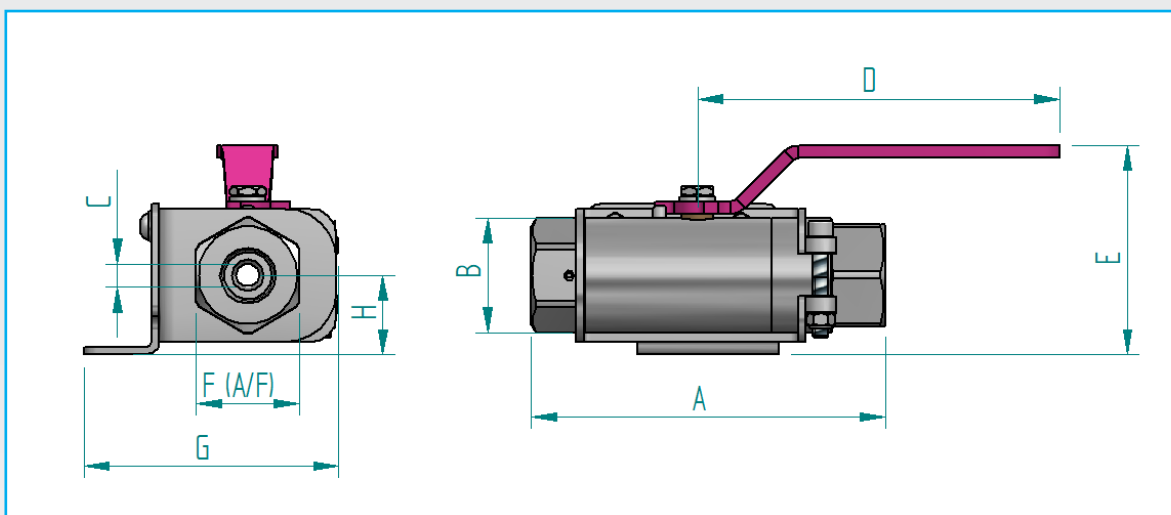
Drop in place for installation in control boxes or panels.

Adjustable height to match existing piping.



400 Series TPED Drop In Place Ball Valves

Product Dimensions



MP Product Dimensions - Inch(mm)

Part Code	Port Thread	Size (DN) Inch (mm)	A	B	Ø C	D	E	F (A/F)	G	H*
BV404-6P4TCDW-GT00	13/16"-16 UN (9/16" MP)	1/2 (13)	5.5 (141)	1.8 (45.6)	0.36 (9.1)	5.7 (144)	3.3 (83)	1.3 (41)	4.0 (101)	1.1 to 1.38 (28 to 35)

* Adjustable

Other sizes and fittings available on request, contact Oasis for further information.

Medium Pressure Product Specification

Part Code	Size (DN) Inch (mm)	Mass lb (kg)	Lowest Operating Pressure bar (psi) *	Working Pressure (WP) bar (psi) **	MAWP (PS) bar (psi) ***	Min. Temp. °F (°C)	Max Temp. °F (°C)^	Cycles Before Rekit^^	Stem Open Torque ft-lb (Nm)^^^	Cv	Service Kit
BV404-6P4TCDW-GT00	1/2"	2.6 (1.2)	6.9 (100)	520 (7539)	650 (9425)	-40 (-40)	185 (85)	2000	14.7 (20)	3.0	BV404-SK1

* Lowest settled gas pressure for which the ball valve is designed. This is the minimum pressure that the product will hold constant bubble tight seal.

** Settled pressure of a compressed gas at a uniform reference temperature of 15°C in a full pressure receptacle for which the valve is intended.

*** Maximum allowable pressure to which the product can be safely pressurised (ISO 17268:2020 Section 3.2).

^ ISO23826 calls for a maximum temperature of 149 °F (65 °C). Supplementary testing completed at 185 °F (85 °C).

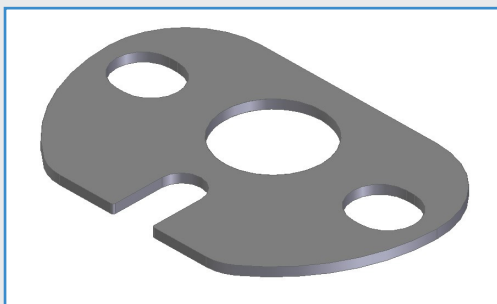
^^ The temperature's and cycles stated depend on the system conditions and may not be achievable in all situations. Contact Oasis for further information.

^^^ Maximum opening torque at maximum operating pressure.



400 Series TPED Drop In Place Ball Valves

Accessories:



BV404 Lockout Plate

Features & Benefits

Prevents accidental opening or closing of the valve.

Part Code	Material
XTH404-012	Stainless Steel