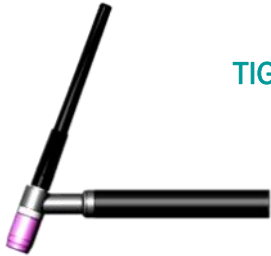




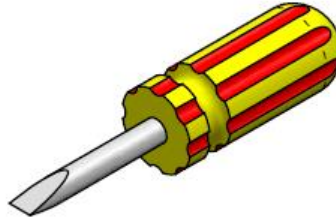
SSH Series Swaged Hoes tails Instruction Manual

Oasis Engineering Ltd
129 Birch Avenue, Tauranga, New Zealand.
T: +64 7 928 3808 F: +64 7 928 3809
E: info@oasisNGV.com
W: www.OasisNGV.com

Tools Required

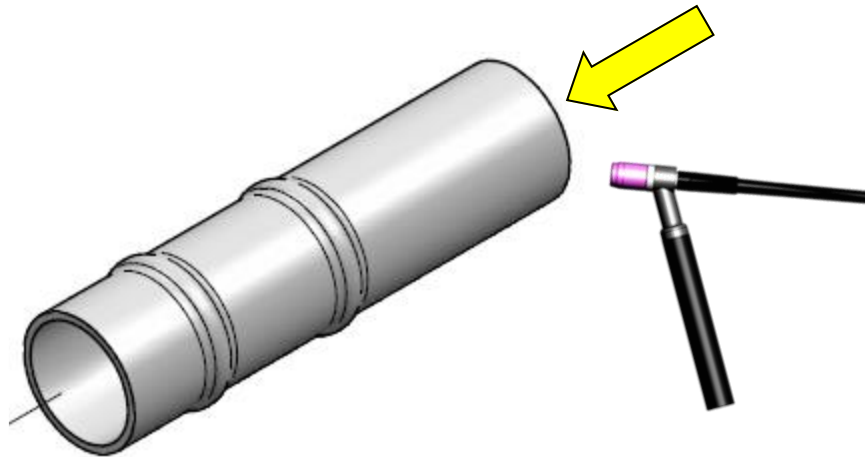


TIG Welder

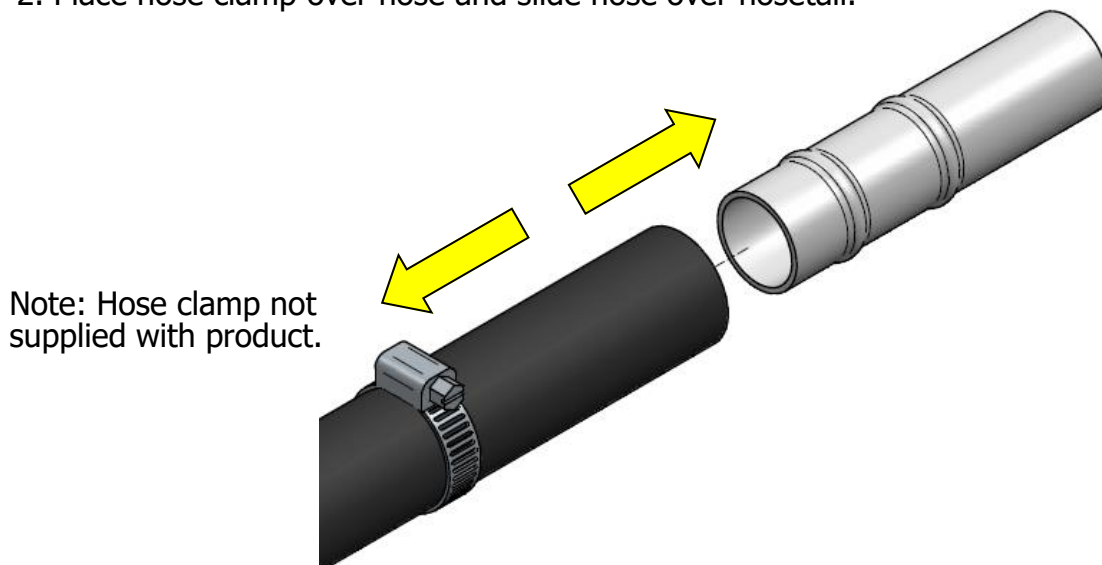


Screw driver
(for hose clamp)

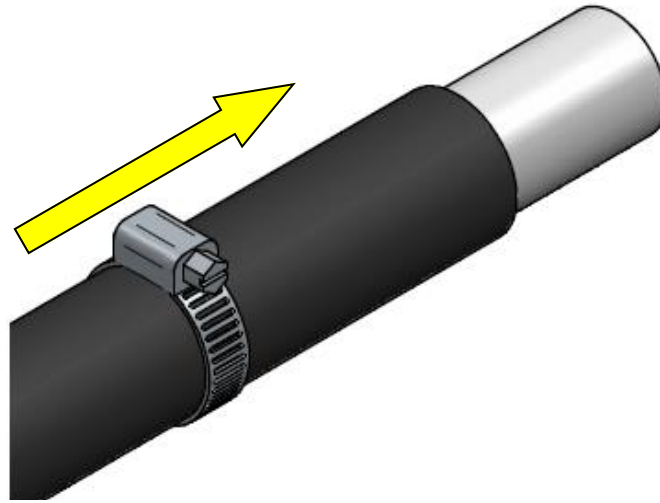
1. Weld or mount end of hosetail to fitting or fixture as required.



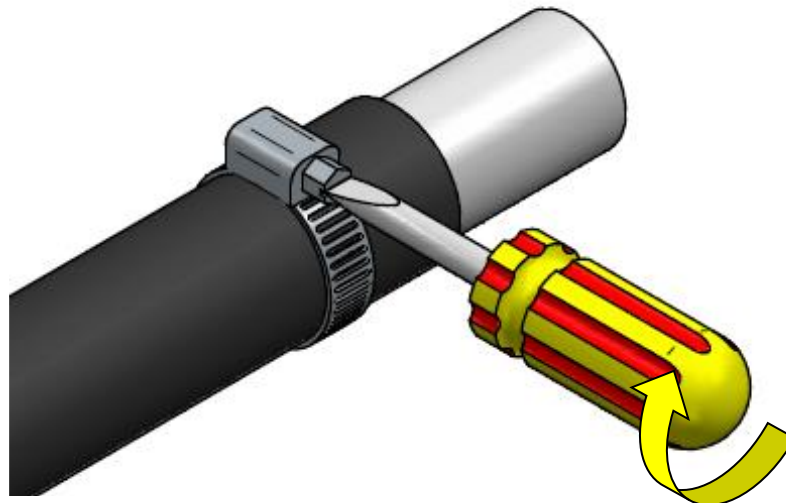
2. Place hose clamp over hose and slide hose over hosing.



3. Slide hose clamp up in between the two swages on the hosetail.



4. Tighten hose clamp to secure hose.



5. Installation complete, check for leaks on first use.

