



Z Swivels

Applications

These Z Swivels are suitable for petrol and diesel in low-pressure applications, hose reels, fuel nozzles and pump to hose connections.



Z Swivel

Materials

| Item | Description | Material |
|------|--------------|--------------------------------------|
| 1 | Body | 316 Stainless Steel or 6061 Aluminum |
| 2 | Washer | Phosphorous Bronze |
| 3 | Bush | Phosphorous Bronze |
| 4 | O-Ring | Viton |
| 5 | Ball Bearing | 316 Stainless Steel |

Features & Benefits

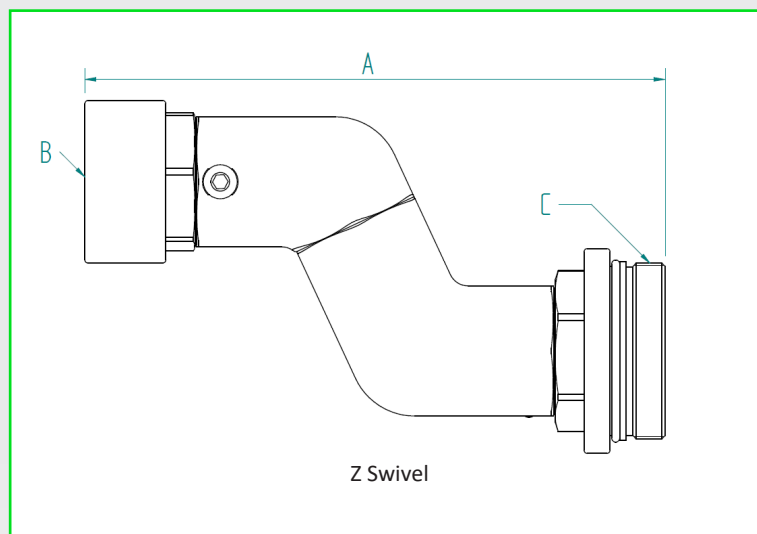
Designed for low pressure applications, these smooth action swivels allow hoses to align themselves for easy use; allowing for easier installation and greater operator comfort.

Product Information

- All products manufactured under ISO9001 standards.
- BSPT Female & Metric Male thread is standard quoted option.
- All aluminum Z-Swivels are lighter than steel and maintain conductivity.
- All aluminum Z-Swivels come with a stainless steel male end.



Z Swivels



Dimensions (mm)

| Part Code | Size | A (Length) | B (Female Thread) | C (Male Thread) |
|----------------|--------|------------|----------------------|--------------------|
| ZS108-ACM42V | 1" | 178 | 1" BSPT | M42 x 1.5 |
| ZS110-6BM54V** | 1 1/4" | 184.5 | 1 1/4" BSPT | M54 X 1.5 |
| ZS110-ABM54V | 1 1/4" | 184.5 | 1 1/4" BSPT | M54 X 1.5 |

Product Specification

| Part Code | Mass kg (lb) | Min. Temp.* °C (°F) | Max. Temp.* °C (°F) | Max. Allowable Working Pressure psi (bar) | Body Material |
|----------------|-----------------|---------------------------|---------------------------|---|---------------------|
| ZS108-ACM42V | 0.89 (2) | -20 (-4) | 50 (122) | 150 (10.5) | 6061 Aluminium |
| ZS110-6BM54V** | 1.85 (4) | -20 (-4) | 50 (122) | 150 (10.5) | 316 Stainless Steel |
| ZS110-ABM54V | 0.89 (2) | -20 (-4) | 50 (122) | 150 (10.5) | 6061 Aluminium |

* Temperature ranges are as per o-ring material.

** Made to order