



800 Series Ball Valves - 550 Bar

Applications

High pressure isolation valves.

Suitable for use with CNG, Bio-Gas, Nitrogen and Air.



BV804-6B6HCDN-1000 - 1/2" Ball Valve

Materials

Item	Part	Material
1	Body	316 Stainless steel
2	Cap	316 Stainless steel
3	Stem	316 Stainless steel
4	Ball	316 Stainless steel
5	Seats	B16 PEEK

Item	Part	Material
7	Gland & Thrust	Delrin
8	Body O-rings	Nitrile
9	Stem O-rings	Nitrile
10	Handle	304 Stainless Steel

Product Information

NPT threads conform to ASME B1.20.1.

BSP threads conform to ISO 228.

All products are manufactured to ISO 9001 standards.

Quarter turn handle.

Complies to PED 2014/68/EU.

Features & Benefits

The 800 Series Ball Valve is a FULL FLOW, Anti Blowout stem, all stainless steel certified bar stock, two-piece, serviceable valve.

Service kits are readily available & easy to install.

CNC machining allows tighter tolerances to be maintained, which extends the working life of the components.



800 Series Ball Valves - 550 Bar

BSP Product Specification

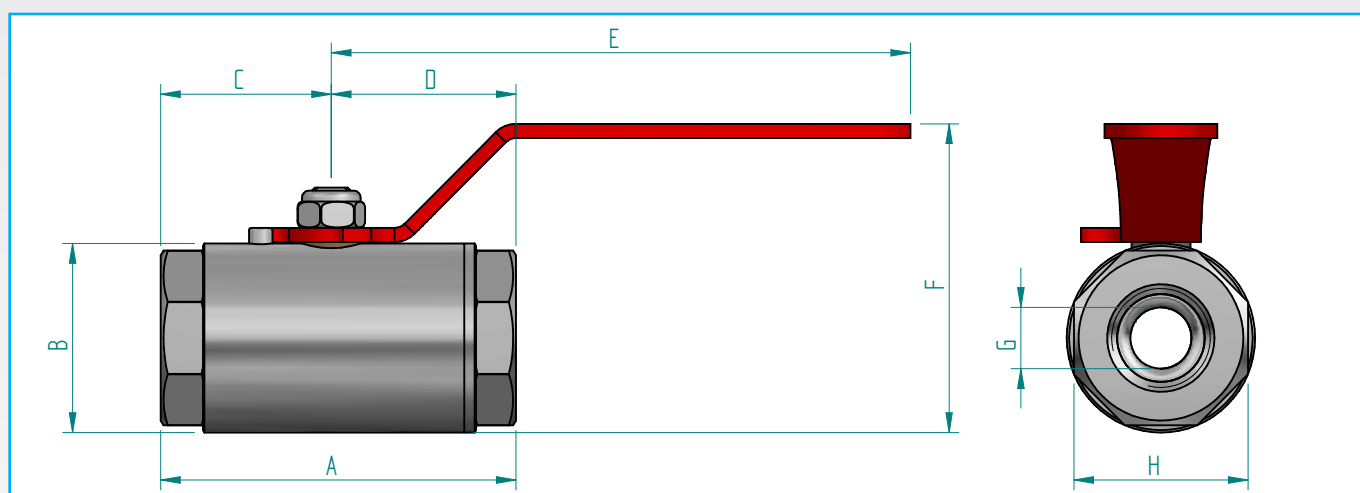
Part Code	Mass lb (kg)	Min. Operating Pressure bar (psi) *	Max. Operating Pressure bar (psi) **	Min. Temp. °F (°C)	Max Temp. °F (°C)	Cycles Before Rekit [^]	Stem Open Torque ft-lb (Nm) ^{^^}	Cv	Service Kit
BV804-6B6HCDN-1000	1.3 (0.6)	6.9 (100)	550 (8000)	-40 (-40)	149 (65)	2000	16	12.3	BV804-SKHCDN

* Minimum system pressure the product will hold constant bubble tight seal.

** Maximum pressure at which the product can constantly operate at.

[^] It is recommended that the ball valve is re-kitted on or before the maximum number of allowable cycles.

^{^^} Opening torque at 8,000 psi



BSP Dimensions Inch (mm)

Part Code	Size	A	Ø B	C	D	E	F	Ø G	H (A/F)	Port Thread
BV804-6B6HCDN-1000	1/2"	2.97 (75.5)	1.57 (40)	1.43 (36.2)	1.54 (39.2)	4.84 (123)	2.56 (65)	0.5 (13)	1.46 (37)	1/2" BSPP



800 Series Ball Valves - 550 Bar

NPT Product Specification

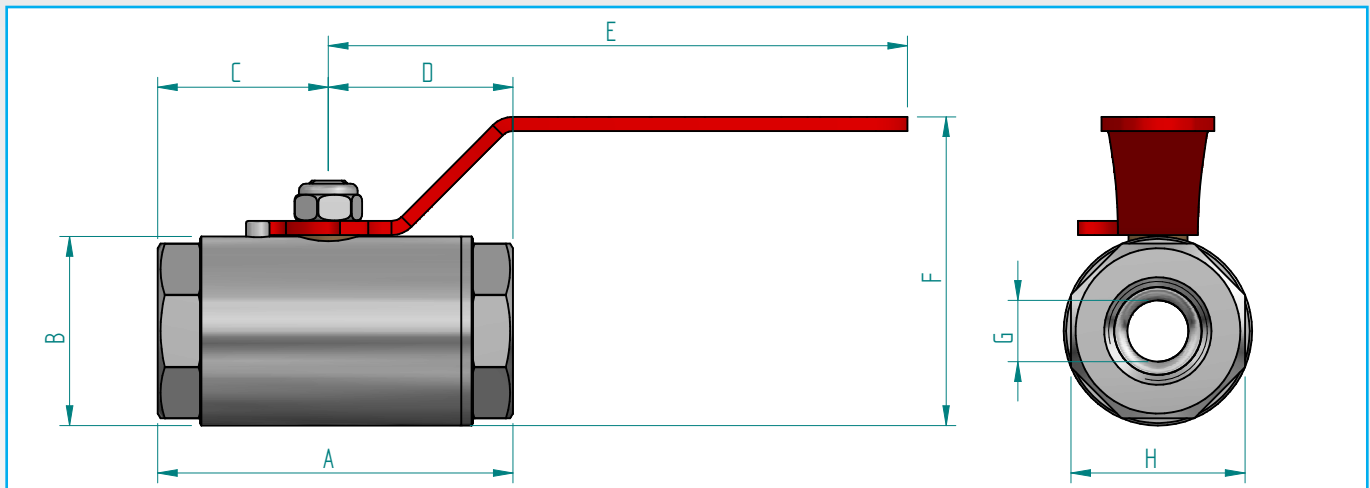
Part Code	Mass lb (kg)	Min. Operating Pressure bar (psi) *	Max. Operating Pressure bar (psi) **	Min. Temp. °F (°C)	Max Temp. °F (°C)	Cycles Before Rekit [^]	Stem Open Torque ft-lb (Nm) ^{^^}	Cv	Service Kit
BV804-6N6HCDN-1000	1.3 (0.6)	6.9 (100)	550 (8000)	-40 (-40)	149 (65)	2000	16	12.3	BV804-SKHCDN

* Minimum system pressure the product will hold constant bubble tight seal.

** Maximum pressure at which the product can constantly operate at.

[^] It is recommended that the ball valve is re-kitted on or before the maximum number of allowable cycles.

^{^^} Opening torque at 8,000 psi



NPT Dimensions Inch (mm)

Part Code	Size	A	Ø B	C	D	E	F	Ø G	H (A/F)	Port Thread
BV804-6N6HCDN-1000	1/2"	2.97 (75.5)	1.57 (40)	1.43 (36.2)	1.54 (39.2)	4.84 (123)	2.56 (65)	0.5 (13)	1.46 (37)	1/2" NPT