



HC308-COVER

1" Quick Coupler Ice Cover

Instruction Manual

▲ WARNING

Failure to follow these instructions or to properly install and maintain this equipment could result in gas leakage, fire or explosion causing property damage and personal injury or death.

Oasis products must be installed, operated and maintained by trained and competent personnel in accordance with all applicable local codes, rules and regulations in addition to the Oasis Instructions.

Oasis Engineering Ltd. will not be held liable in such circumstances where installation, operation and maintenance procedures were performed by incompetent personnel resulting in improper assembly, unsafe operation, equipment damage or personal injury.

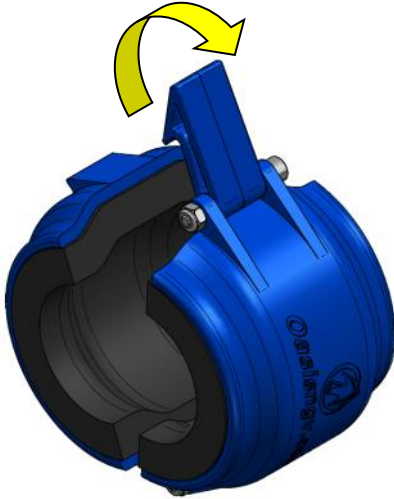
Oasis recommends that all service technicians should watch the Product Servicing Video before attempting to service this part.

Oasis Engineering Ltd
129 Birch Avenue, Tauranga, New Zealand.
T: +64 7 928 3808
E: info@oasisNGV.com
W: www.OasisNGV.com

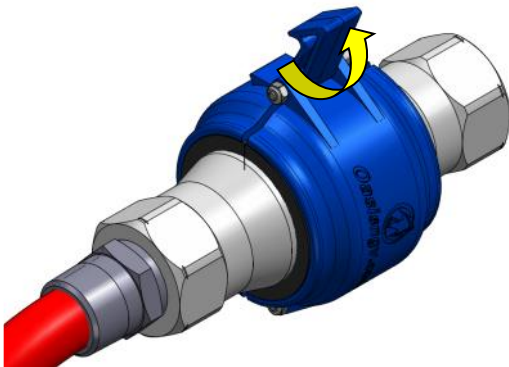


Instruction Manual

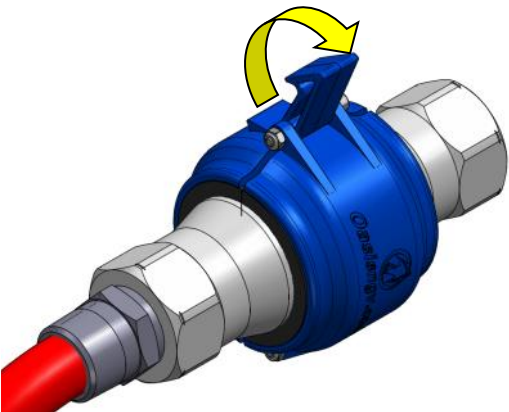
1. Open the ice cover latch.



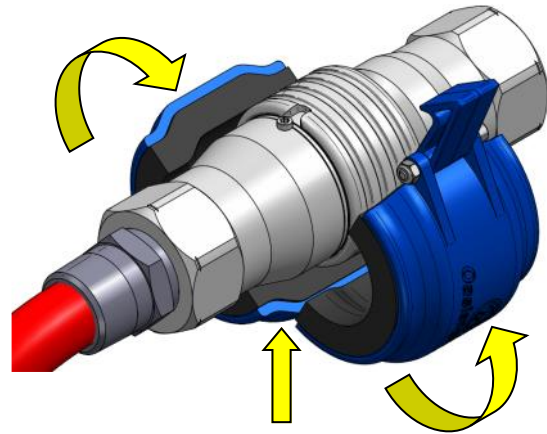
3. Close the cover latch.



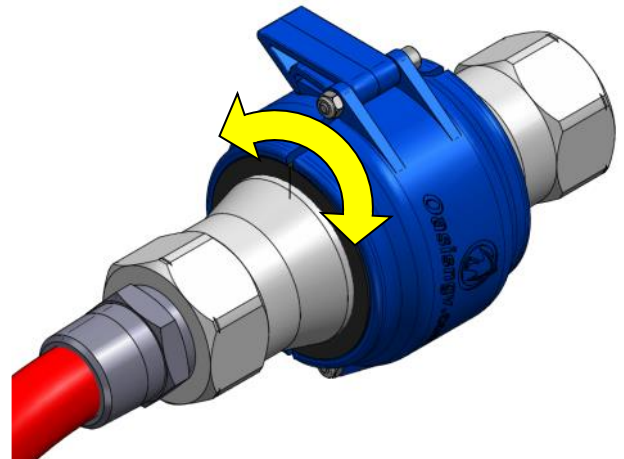
5. After use, unlock the latch.



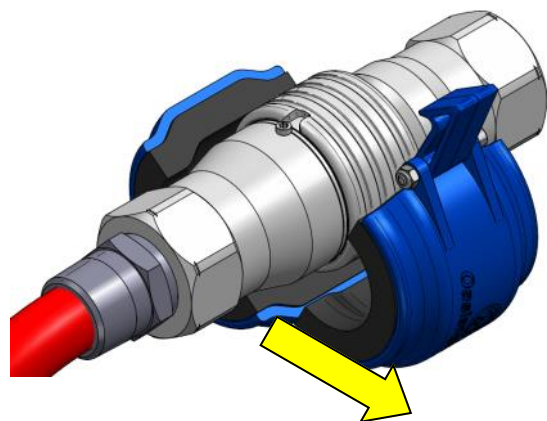
2. Place around coupler ensuring it sits evenly over the connection. Keep pressure underneath cover when connecting.



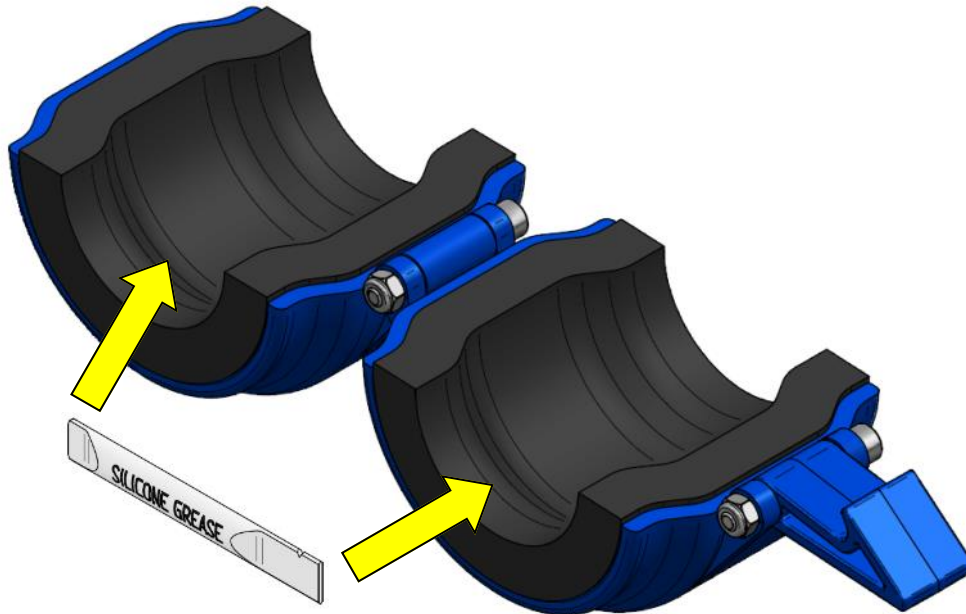
4. Twist cover back and forward to ensure a good seal is created around the coupler.



6. Open cover and remove from coupler.



To prevent the neoprene insert from sticking to the coupler in use, silicone grease or similar can be applied to the neoprene to maintain a water repellent, non-stick surface.



Although the cover is weather resistant, it is recommended to keep the cover out of the ambient environment and clean from debris when not in use. This will help the cover to provide better performance when required and extend its lifetime.

