

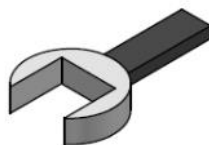


Reversing Segment Installation Instructions

3/4" & 1" Reversing Plate
SBV506-16RM

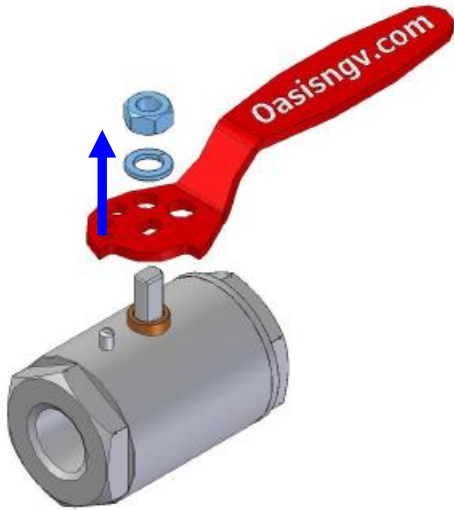


Tools Required

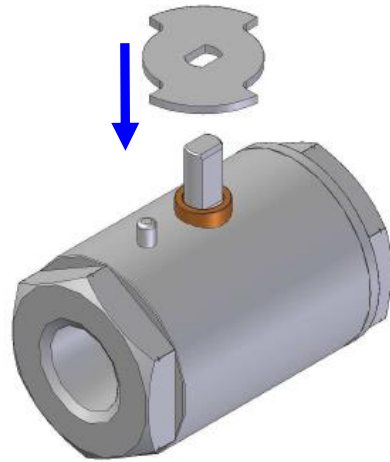


Spanner
(Wrenches)

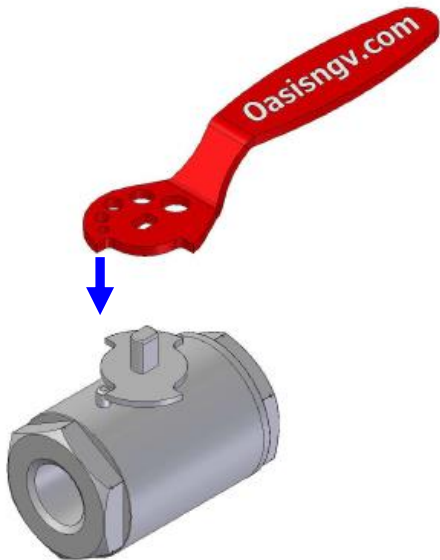
1. Remove handle.



2. Install reversing segment.



3.



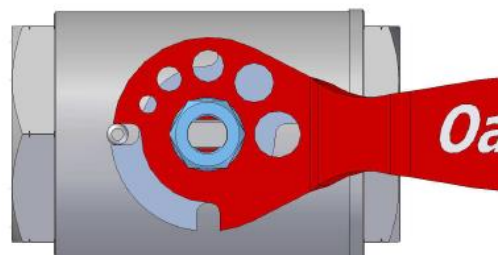
4. Re-install



5.



6.



CLOSING VALVE WITH STANDARD HANDLE OPERATION



CLOSING VALVE WITH REVERSING SEGMENT

