



# Sanitary Non-Return Valve

## Applications

Extensively used in industries where hygiene is paramount:

- Dairy Industry, Fisheries, Chemical Industry, Water Treatment, Temperature rated food handling, Refrigeration



Sanitary Non-Return Valves

## Materials

Item	Description	Material
1	Body	316 Stainless Steel
2	Liner	316 Stainless Steel
3	Nut	304 Stainless Steel
4	Poppet	316 Stainless Steel
5	Retainer	316 Stainless Steel
6	Spring	302 Stainless Steel
7	Seals & O-Rings	EPDM

## Features & Benefits

The SNV300 series Sanitary Non-return Valve is a heavy-duty flow control device suitable for multiple industrial applications.

They feature a fully machine poppet assembly which are precision fitted into a machined body. The axially acting spring-loaded poppet passes permitted flows with minimal flow resistance.

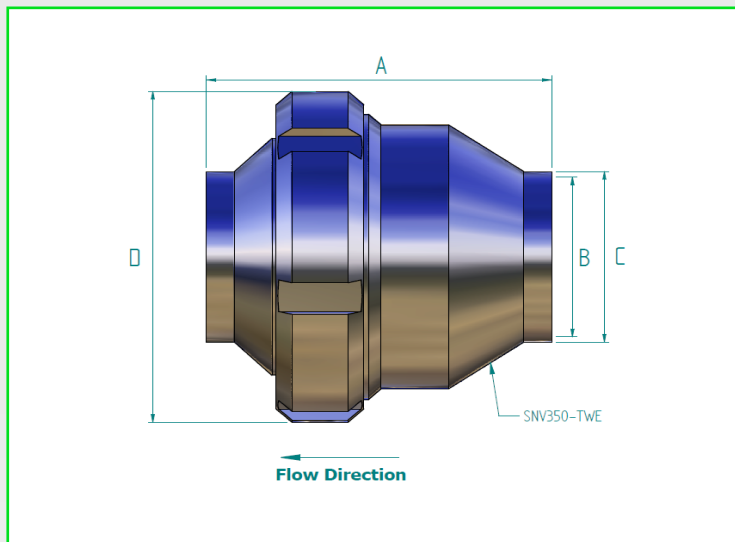
The SNV300 is fully serviceable in-place with the easy removal of the poppet assembly. Full service kits and poppet assembled kits are readily available for simple field services

## Product Information

- All products are manufactured to ISO9001 standards.
- Service kits readily available.
- Butt weld 16 gauge tube is standard quoted connection.
- RJTs and other connection types available on request.



# Sanitary Non-Return Valve



## Dimensions (mm)

Part Code	Size	A	B (ID)	C (OD)	D	Conection
SNV320-TWE	3/4"	59.8	15.8	19.1	45.4	Weld End
SNV325 -TWE	1"	66.4	22.2	25.4	58.3	Weld End
SNV338-TWE	1 1/2"	82.5	34.8	38.1	72.5	Weld End
SNV350-TWE	2"	84.5	47.4	50.8	85.0	Weld End
SNV363 -TWE	2 1/2"	98.4	60.3	63.5	111.6	Weld End

## Product Specification

Part Code	Mass kg (lb)	Min. Temp. °C (°F)	Max. Temp. °C (°F)	Min. Crack Pressure psi (bar) *	Max. Operating Pressure psi (bar) **	Service Kit
SNV320-TWE	0.46 (1)	-50 (-58)	120 (248)	0.4 (0.03)	1000 (69)	SNV320-SK #
SNV325 -TWE	0.7 (1.5)	-50 (-58)	120 (248)	0.4 (0.03)	1000 (69)	SNV325-SK
SNV338-TWE	1.1 (2.4)	-50 (-58)	120 (248)	0.4 (0.03)	1000 (69)	SNV338-SK
SNV350-TWE	1.4 (3)	-50 (-58)	120 (248)	0.4 (0.03)	1000 (69)	SNV350-SK
SNV363 -TWE	1.9 (4.2)	-50 (-58)	120 (248)	0.4 (0.03)	1000 (69)	SNV363-SK

\* Minimum back pressure at which to re-seal check valve.

\*\* Maximum pressure at which the product can constantly operate at.

# For obsolete valve SNV320-DS use Service Kit SNV320-DSSK.