



# Brass Swivel Unions

## Applications

These brass swivels are suitable in low-pressure applications, hose reels, fuel nozzles, pump to hose connections and hot bitumen lines.



Brass Swivels

## Materials

Item	Description	Material
1	Body	Brass
2	Seal	Urethane
3	O-Ring	Viton
4	Ball	Stainless Steel

## Features & Benefits

Designed for low pressure applications, these swivels are highly customisable.

Standard end connections can be replaced with tube weld, swaged hose tail or different standardized thread options.

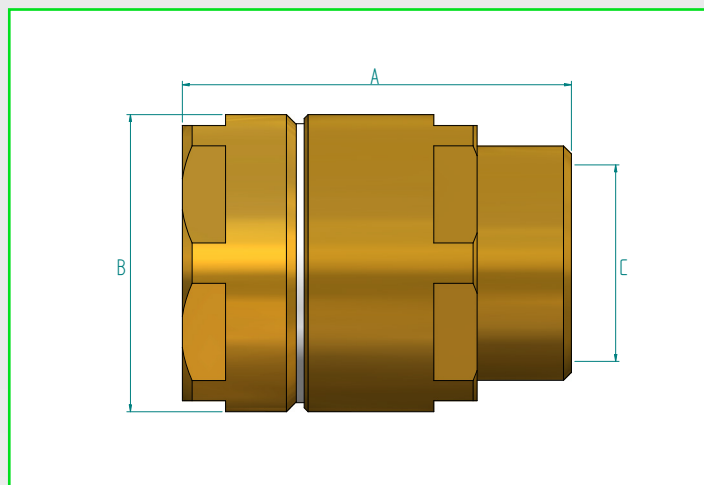
## Product Information

All products manufactured under ISO9001 standards.

BSPP Female & BSPT Male thread is standard quoted option.



## Brass Swivel Unions



### Dimensions (mm)

Part Code	Size	A	B	C	Standard Thread
BSU020-BT-MF**	3/4"	55	38	19	3/4" BSP
BSU025-BT-MF**	1"	61	47	25	1" BSP
BSU032-BT-MF	1 1/4"	60	53	31	1 1/4" BSP
BSU038-BT-MF	1 1/2"	75	63	37	1 1/2" BSP
BSU050-BT-MF	2"	108	112	50	2" BSP
BSU063-BT-MF**	2 1/2"	127	100	63	2 1/2" BSP
BSU076-BT-MF**	3"	133	112	76	3" BSP

### Product Specification

Part Code	Mass kg (lb)	Min. Temp. °C (°F)	Max. Temp. °C (°F)	Max. Operating Pressure psi (bar) *
BSU020-BT-MF**	0.3 (0.7)	-40 (40)	90 (194)	200 (13)
BSU025-BT-MF**	0.4 (0.9)	-40 (40)	90 (194)	200 (13)
BSU032-BT-MF	0.5 (1.1)	-40 (40)	90 (194)	200 (13)
BSU038-BT-MF	0.8 (1.8)	-40 (40)	90 (194)	200 (13)
BSU050-BT-MF	1.4 (3.1)	-40 (40)	90 (194)	200 (13)
BSU063-BT-MF**	3.4 (7.5)	-40 (40)	90 (194)	200 (13)
BSU076-BT-MF**	4.5 (9.9)	-40 (40)	90 (194)	200 (13)

\* Maximum pressure at which the product can constantly operate at.

\*\* Made to order

We reserve the right to modify product specifications without prior notice.