



100 Series Trailer Load/Unload Manifold

Applications

Suitable for CNG, Hydrogen, Helium, Bio-Gas, Nitrogen and Air

Bulk gas trailers

Bulk gas cylinder storage stacks

Gas vehicle cylinder stacks

Fast fill cylinder stacks

Product Information

All products are manufactured to ISO 9001 standards.

Quarter turn handle.

Suitable with Oasis 1" quick connect couplers.

Can be manufactured to your specifications, contact us for details.

Complies to PED 2014/68/EU.



TM106-4G62DDN-E000

Materials

Part	Material
Body/Cap	304 Stainless steel
Handle	304 Stainless Steel
Ball and Stem	316 Stainless steel
O-rings	Nitrile
Seats and Glands	Delrin

Product Specification

Part Code	Size	Mass lb (kg)	Min. Operating Pressure bar (psi) *	Max. Operating Pressure bar (psi) **	Min. Temp. °F (°C)	Max. Temp. °F (°C)	Cycles Before Rekit ^	Stem Open Torque ft- lb (Nm) ^^	Cv	Service Kit
TM106-4G62DDN-E000	3/4"	14.3(6.5)	0.5 (7)	410 (6000)	-40 (-40)	185 (85)	100,000	31(22.8)	15.8	TM106-SK62DDN-S

* Minimum pressure that the product will hold constant bubble tight seal.

** Maximum pressure at which the product can continuously operate at.

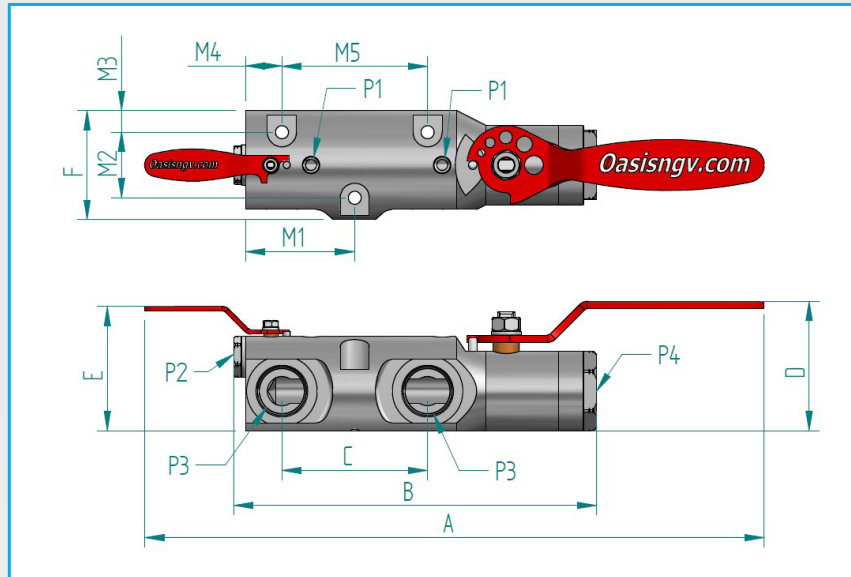
^ It is recommended that the trailer manifold is re-kitted on or before the maximum number of allowable cycles.

^^ Opening torque of main valve at 6,000 psi



100 Series Trailer Load/Unload Manifold

Product Specifications



TM106-4G62DDN-E000

Dimensions: Imperial (Metric mm)

Part Code	A	B	C	D	E	F	PORT P1	PORT P2	PORT P3	PORT P4
TM106-4G62DDN-E000	16.75" (425.5)	9.8" (249)	3.93" (100)	3.5" (89)	3.4" (85.3)	2.9" (75)	1/4" NPT Female	1/4" NPT Female	1 5/16-12" SAE Female	1 5/16-12" SAE Female

Mounting Dimensions: Imperial (Metric mm)

Part Code	M1	M2	M3	M4	M5	M6
TM106-4G62DDN-E000	2.95" (75)	1.77" (45)	.59" (15)	.98" (25)	3.94" (100)	.35" (9)

P&ID

P1 = Gauge Port/Spare Gauge Port

P2 = Vent Port

P3 = To/From Storage

P4 = To/From Storage

