



Vat Inlet Valve With CIP (Clean in Place)

Applications

Milk Storage Vats



PV250-SV2 - Vat Inlet Valve with CIP

Materials

Description	Material
Valve body	316 Stainless Steel
Shutter	PTFE
Seals	EPR FDA
CIP	See CIP specification sheet

Features & Benefits

Used in the New Zealand Dairy Industry for over a quarter of a century. Proven quality, readily available service kits.

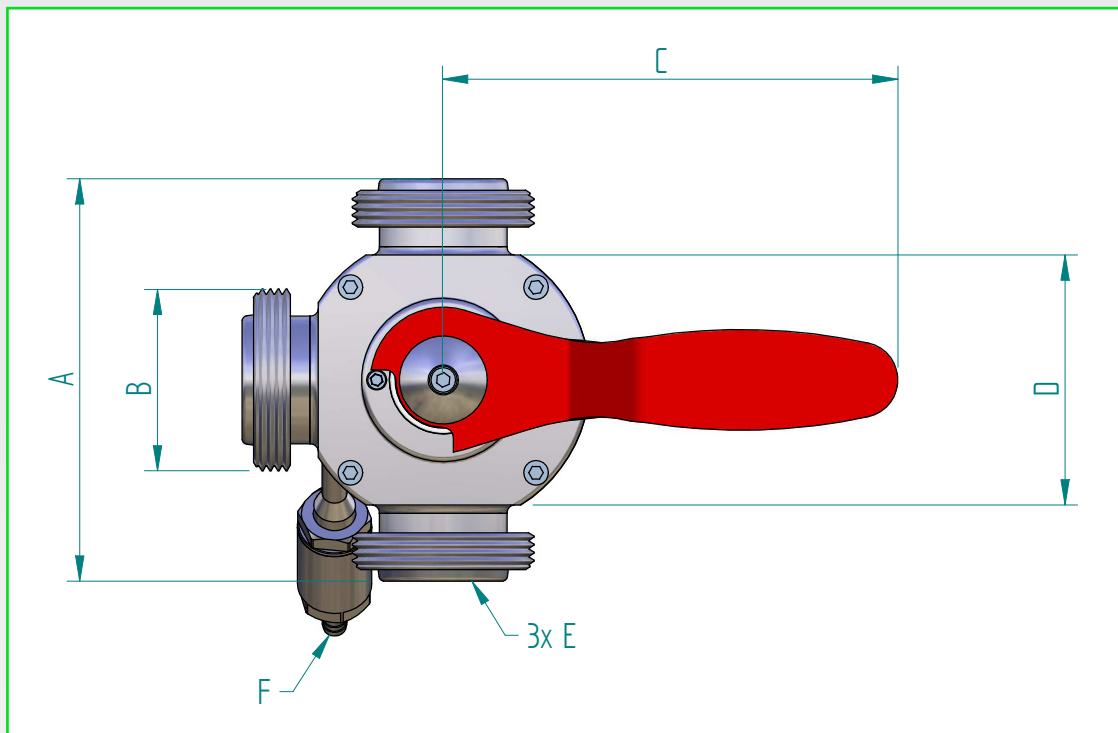
The fully machined, polished food contact surfaces and adjustable shutter tensioning system ensure complete sealing and even shutter contact.

Product Information

- All products are manufactured to ISO 9001 standards.
- Milk vat applications. Suitable for all food service applications.



Vat Inlet Valve With CIP (Clean in Place)



Dimensions (mm)

Part	Size	A	B	C	D	E	F
PV250-SV2	2"	160.1	72.15	181.23	129.8	2" RJT	1/4" TUBE

Product Specification

Part Code	Mass kg (lb)	Max. Operating Pressure bar (psi)	Max. Temperature °C (°F)	Service Kit Ordering Number
PV250-SV2	6.98 (15.39)	10 (145)	100 (212)	SPV350-SK