



900 Series TPED Ball Valves

Applications

High Flow TPED ball valves for trailer use.

Suitable for Hydrogen, CNG, Biogas, Helium, Nitrogen.



BV908-6S6TCDW-G000

Materials

Item	Part	Material
1	Body & Cap	316 Stainless Steel
2	Ball	316 Stainless Steel
3	Stem	XM19 Stainless Steel (BV904 only)
		316 Stainless Steel (BV908 only)
4	Seats	B16 PEEK

Item	Part	Material
5	Thrust washer	Delrin
6	Gland	Delrin
7	O-rings	Viton
8	Backup rings	Nitrile
9	Handle	304 Stainless Steel

Product Information

Type tested to ISO23826.

Complies with TPED 2010/35/EU

All products are manufactured to ISO 9001 standards.

NPT threads conform to ASME B1.20.1.

SAE threads conform to SAE J1926.

BSP threads conform to ISO 228.

Other connections available on request.

Features & Benefits

Suitable for 385 bar working pressure trailers.

Easy to service, kits readily available.

Quarter turn handle.

Anti blow-out stem.

Manufactured from certified bar stock.

Lockout system available on request to prevent accidental operation of valve.

Actuated options available on request.



900 Series TPEd Ball Valves

NPT Product Specification

Part Code	Size (DN) Inch (mm)	Mass lb (kg)	Lowest Operating Pressure bar (psi) *	Working Pressure (WP) bar (psi) **	Test Pressure (PT) bar (psi) ***	Min. Temp. °F (°C)	Max Temp. °F (°C)	Cycles Before Rekit [^]	Stem Open Torque ft-lb (Nm) ^{^^}	Cv	Service Kit
BV904-6N4TCDW-G000	1/2"	1.5 (0.7)	6.9 (100)	385 (5584)	462 (6700)	-40 (-40)	149 (65)	2000	14.7 (20)	13.1	BV900-SK1
BV908-6N6TCDW-G000	1"	4.9 (2.2)	6.9 (100)	385 (5584)	462 (6700)	-40 (-40)	149 (65)	2000	33.2 (45)	30.1	BV900-SK2

SAE Product Specification

Part Code	Size (DN) Inch (mm)	Mass lb (kg)	Lowest Operating Pressure bar (psi) *	Working Pressure (WP) bar (psi) **	Test Pressure (PT) bar (psi) ***	Min. Temp. °F (°C)	Max Temp. °F (°C)	Cycles Before Rekit [^]	Stem Open Torque ft-lb (Nm) ^{^^}	Cv	Service Kit
BV904-6S4TCDW-G000	1/2"	1.5 (0.7)	6.9 (100)	385 (5584)	462 (6700)	-40 (-40)	149 (65)	2000	14.7 (20)	13.1	BV900-SK1-S4
BV908-6S6TCDW-G000	1"	4.9 (2.2)	6.9 (100)	385 (5584)	462 (6700)	-40 (-40)	149 (65)	2000	33.2 (45)	30.1	BV900-SK2-S8

BSP Product Specification

Part Code	Size (DN) Inch (mm)	Mass lb (kg)	Lowest Operating Pressure bar (psi) *	Working Pressure (WP) bar (psi) **	Test Pressure (PT) bar (psi) ***	Min. Temp. °F (°C)	Max Temp. °F (°C)	Cycles Before Rekit [^]	Stem Open Torque ft-lb (Nm) ^{^^}	Cv	Service Kit
BV904-6B4TCDW-G000	1/2"	1.5 (0.7)	6.9 (100)	385 (5584)	462 (6700)	-40 (-40)	149 (65)	2000	14.7 (20)	13.1	BV900-SK1

Metric Tube-Lock Product Specification

Part Code	Size (DN) Inch (mm)	Mass lb (kg)	Lowest Operating Pressure bar (psi) *	Working Pressure (WP) bar (psi) **	Test Pressure (PT) bar (psi) ***	Min. Temp. °F (°C)	Max Temp. °F (°C)	Cycles Before Rekit [^]	Stem Open Torque ft-lb (Nm) ^{^^}	Cv	Service Kit
BV904-614TCDW-G000	1/2"	1.5 (0.7)	6.9 (100)	385 (5584)	462 (6700)	-40 (-40)	149 (65)	2000	14.7 (20)	13.1	BV900-SK1

* Lowest settled gas pressure for which the ball valve is designed. This is the minimum pressure that the product will hold constant bubble tight seal.

** Settled pressure of a compressed gas at a uniform reference temperature of 15°C in a full pressure receptacle for which the valve is intended.

*** Minimum pressure applied to the valve during testing

[^] The temperature's and cycles stated depend on the system conditions and may not be achievable in all situations.

Contact Oasis for further information.

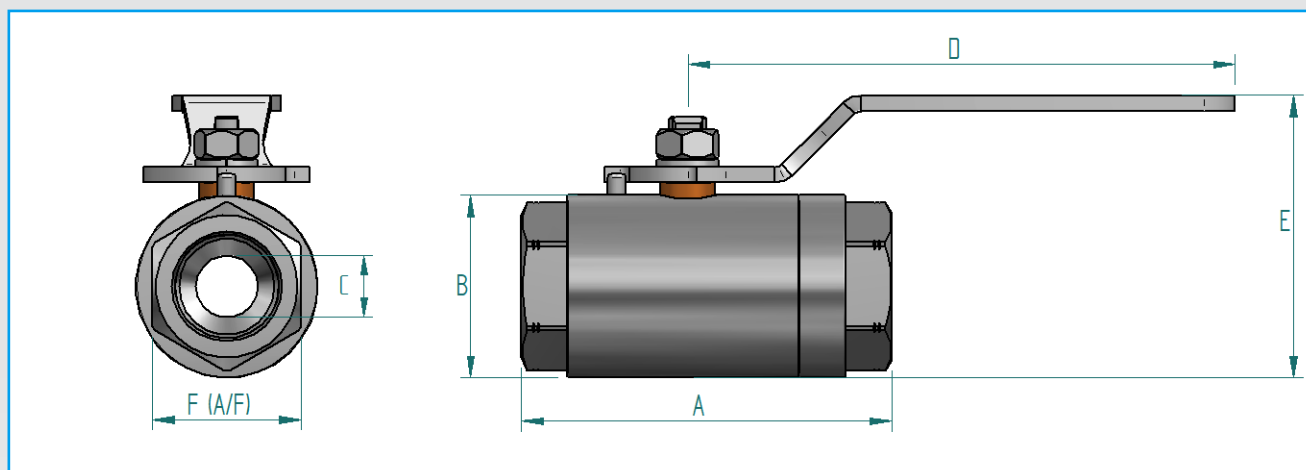
^{^^} Maximum opening torque at maximum operating pressure.

We reserve the right to modify product specifications without prior notice.



900 Series TPED Ball Valves

Product Dimensions



NPT Product Dimensions - Inch(mm)

Part Code	Size (DN) Inch (mm)	A	B	∅ C	D	E	Port Thread	F (A/F)
BV904-6N4TCDW-G000	1/2"	3 (75.5)	1.6 (40)	.5 (13)	5.7 (144)	2.7 (69)	1/2" NPT FEMALE	1.3 (33.4)
BV908-6N6TCDW-G000	1"	4.7 (120)	2.2 (59)	.78 (20)	6.9 (177)	3.6 (91)	1" NPT FEMALE	1.9 (48)

Other sizes and fittings available on request, contact Oasis for further information.

SAE Product Dimensions - Inch(mm)

Part Code	Size (DN) Inch (mm)	A	B	∅ C	D	E	Port Thread	F (A/F)
BV904-6S4TCDW-G000	1/2"	3 (75.5)	1.6 (40)	.5 (13)	5.7 (144)	2.7 (69)	3/4-16 SAE FEMALE	1.3 (33.4)
BV908-6S6TCDW-G000	1"	4.7 (120)	2.2 (59)	.78 (20)	6.9 (177)	3.6 (91)	1 5/16-12 SAE FEMALE	1.9 (48)

Other sizes and fittings available on request, contact Oasis for further information.

BSP Product Dimensions - Inch(mm)

Part Code	Size (DN) Inch (mm)	A	B	∅ C	D	E	Port Thread	F (A/F)
BV904-6B4TCDW-G000	1/2"	3 (75.5)	1.6 (40)	.5 (13)	5.7 (144)	2.7 (69)	G1/2 FEMALE	1.3 (33.4)

Other sizes and fittings available on request, contact Oasis for further information.

Metric Tube-Lock Product Dimensions - Inch(mm)

Part Code	Size (DN) Inch (mm)	A	B	∅ C	D	E	Port Thread	F (A/F)
BV904-614TCDW-G000	1/2"	4.2 (106.5)	1.6 (40)	.41 (10.5)	5.7 (144)	2.7 (69)	12mm Tube-Lock (3/4-20 UNEF)	1.3 (33.4)

Other sizes and fittings available on request, contact Oasis for further information.