



900 Series Air Torque Actuated TPED Ball Valves

Applications

Remote ball valve actuation. High flow TPED ball valves for trailer use.
Suitable for Hydrogen, CNG, Biogas, RNG, Helium, Nitrogen.



BV904 with Air Torque AT101

Materials

Part Code	Description	Material
BV900 series	Ball Valves	As per product specification
AT	Air Torque	As per manufacturers specification
BVAC	Actuator Mount Bracket and Bolts	304 Stainless Steel
	Actuator Drive dog	303 Stainless Steel

Product Information

Type tested to ISO23826.
Complies with TPED 2010/35/EU.
CRN pending.
All products are manufactured to ISO 9001 standards.
NPT threads conform to ASME B1.20.1.
SAE threads conform to SAE J1926.
BSP threads conform to ISO 228.
DKOS connections conform to ISO 8434-1.
Tube connections available.
Other connections available on request.
Separate part numbers for N/O and N/C options
Custom handles available on request.
End users shall consider the pressure and flow of the system to which the valves are installed.

Features & Benefits

Suitable for 385 bar working pressure trailers.
Easy to service, kits readily available.
Anti blow-out stem.
Oasis provides actuated ball valves, factory fitted and tested for your convenience.
Manufactured from certified bar stock.
Featuring a floating drive dog, that dampens vibration extending the life of the valve.
A carefully aligned, rigid bracket ensures minimal lateral torque.
Manual handled versions also available with or without handle lockout system.



900 Series Air Torque Actuated TPED Ball Valves

BSP Product Specification

Part Code	Size (DN) Inch (mm)	Mass lb (kg)	Lowest Operating Pressure bar (psi) *	Working Pressure (WP) bar (psi) **	Max Allowable Working Pressure (PT) bar (psi) ***	Min. Temp. °F (°C)	Max Temp. °F (°C)^^	Cv	Stem Open Torque ft-lb (Nm) ^	Actuator Supply Pressure bar (psi) ^^	Actuator Air Supply Port Size
BV902-6B4TCDW-0124 (N/C)	1/4" (6.35)	5.1 (2.3)	6.9 (100)	385 (5584)	462 (6700)	-40 (-40)	149 (65)	13.1#	14.7 (20)	6-8 (87-116)	1/8" BSPP
BV902-6B4TCDW-012M (N/O)	1/4" (6.35)										
BV903-6B4TCDW-0124 (N/C)	3/8" (9.5)										
BV903-6B4TCDW-012M (N/O)	3/8" (9.5)										
BV904-6B4TCDW-0124 (N/C)	1/2" (12.7)										
BV904-6B4TCDW-012M (N/O)	1/2" (12.7)										
BV906-6B6TCDW-0148 (N/C)	3/4" (19.05)	9.9 (4.5)									
BV906-6B6TCDW-014P (N/O)	3/4" (19.05)										
BV908-6B6TCDW-0148 (N/C)	1" (25.4)										
BV908-6B6TCDW-014P (N/O)	1" (25.4)										

* Lowest settled gas pressure for which the ball valve is designed. This is the minimum pressure that the product will hold constant bubble tight seal.

** Settled pressure of a compressed gas at a uniform reference temperature of 15°C in a full pressure receptacle for which the valve is intended.

*** Minimum pressure applied to the valve during testing

^ Maximum opening torque at maximum operating pressure.

^^ Required actuator supply pressure to operate Air Torque Actuator.

^^^ TPED-certified to 65 °C, evaluated by Oasis to 85 °C, which exceeds certification scope and must be verified by the system designer.

Rated Cv is based on nominal 1/2" bore ball valve. Different connections may affect overall valve Cv.

(N/C) Normally Closed - Valve is in closed position when no pressure applied to actuator.

(N/O) Normally Open - Valve is in open position when no pressure applied to actuator.

Contact Oasis for further information.



900 Series Air Torque Actuated TPED Ball Valves

NPT Product Specification

Part Code	Size (DN) Inch (mm)	Mass lb (kg)	Lowest Operating Pressure bar (psi) *	Working Pressure (WP) bar (psi) **	Max Allowable Working Pressure (PT) bar (psi) ***	Min. Temp. °F (°C)	Max Temp. °F (°C)^^	Cv	Stem Open Torque ft-lb (Nm) ^	Actuator Supply Pressure bar (psi) ^^	Actuator Air Supply Port Size
BV902-6N4TCDW-0124 (N/C)	1/4" (6.35)	5.1 (2.3)	6.9 (100)	385 (5584)	462 (6700)	-40 (-40)	149 (65)	13.1#	14.7 (20)	6-8 (87-116)	1/8" BSPP
BV902-6N4TCDW-012M (N/O)	1/4" (6.35)										
BV903-6N4TCDW-0124 (N/C)	3/8" (9.5)										
BV903-6N4TCDW-012M (N/O)	3/8" (9.5)										
BV904-6N4TCDW-0124 (N/C)	1/2" (12.7)										
BV904-6N4TCDW-012M (N/O)	1/2" (12.7)	9.9 (4.5)	6.9 (100)	385 (5584)	462 (6700)	-40 (-40)	149 (65)	30.1	33.2 (45)	6-8 (87-116)	1/8" BSPP
BV906-6N6TCDW-0148 (N/C)	3/4" (19.05)										
BV906-6N6TCDW-014P (N/O)	3/4" (19.05)										
BV908-6N6TCDW-0148 (N/C)	1" (25.4)										
BV908-6N6TCDW-014P (N/O)	1" (25.4)										

* Lowest settled gas pressure for which the ball valve is designed. This is the minimum pressure that the product will hold constant bubble tight seal.

** Settled pressure of a compressed gas at a uniform reference temperature of 15°C in a full pressure receptacle for which the valve is intended.

*** Minimum pressure applied to the valve during testing

^ Maximum opening torque at maximum operating pressure.

^^ Required actuator supply pressure to operate Air Torque Actuator.

^^^ TPED-certified to 65 °C, evaluated by Oasis to 85 °C, which exceeds certification scope and must be verified by the system designer.

Rated Cv is based on nominal 1/2" bore ball valve. Different connections may affect overall valve Cv.

(N/C) Normally Closed - Valve is in closed position when no pressure applied to actuator.

(N/O) Normally Open - Valve is in open position when no pressure applied to actuator.

Contact Oasis for further information.



900 Series Air Torque Actuated TPED Ball Valves

SAE Product Specification

Part Code	Size (DN) Inch (mm)	Mass lb (kg)	Lowest Operating Pressure bar (psi) *	Working Pressure (WP) bar (psi) **	Max Allowable Working Pressure (PT) bar (psi) ***	Min. Temp. °F (°C)	Max Temp. °F (°C)^^^	Cv	Stem Open Torque ft-lb (Nm)^	Actuator Supply Pressure bar (psi) ^^	Actuator Air Supply Port Size
BV902-6S4TCDW-0124 (N/C)	1/4" (6.35)	5.1 (2.3)	6.9 (100)	385 (5584)	462 (6700)	-40 (-40)	149 (65)	13.1 [#]	14.7 (20)	6-8 (87-116)	1/8" BSPP
BV902-6S4TCDW-012M (N/O)	1/4" (6.35)										
BV903-6S4TCDW-0124 (N/C)	3/8" (9.5)										
BV903-6S4TCDW-012M (N/O)	3/8" (9.5)										
BV904-6S4TCDW-0124 (N/C)	1/2" (12.7)										
BV904-6S4TCDW-012M (N/O)	1/2" (12.7)	9.9 (4.5)	6.9 (100)	385 (5584)	462 (6700)	-40 (-40)	149 (65)	30.1	33.2 (45)	6-8 (87-116)	1/8" BSPP
BV906-6S6TCDW-0148 (N/C)	3/4" (19.05)										
BV906-6S6TCDW-014P (N/O)	3/4" (19.05)										
BV908-6S6TCDW-0148 (N/C)	1" (25.4)										
BV908-6S6TCDW-014P (N/O)	1" (25.4)										

- * Lowest settled gas pressure for which the ball valve is designed. This is the minimum pressure that the product will hold constant bubble tight seal.
 - ** Settled pressure of a compressed gas at a uniform reference temperature of 15°C in a full pressure receptacle for which the valve is intended.
 - *** Minimum pressure applied to the valve during testing
 - ^ Maximum opening torque at maximum operating pressure.
 - ^^ Required actuator supply pressure to operate Air Torque Actuator.
 - ^^^ TPED-certified to 65 °C, evaluated by Oasis to 85 °C, which exceeds certification scope and must be verified by the system designer.
 - # Rated Cv is based on nominal 1/2" bore ball valve. Different connections may affect overall valve Cv.
 - (N/C) Normally Closed - Valve is in closed position when no pressure applied to actuator.
 - (N/O) Normally Open - Valve is in open position when no pressure applied to actuator.
- Contact Oasis for further information.



900 Series Air Torque Actuated TPED Ball Valves

Tube Connection Product Specification

Part Code	Tube size (mm)	Mass lb (kg)	Lowest Operating Pressure bar (psi) *	Working Pressure (WP) bar (psi) **	Max Allowable Working Pressure (PT) bar (psi) ***	Min. Temp. °F (°C)	Max Temp. °F (°C)^^^	Cv	Stem Open Torque ft-lb (Nm)^	Actuator Supply Pressure bar (psi) ^^	Actuator Air Supply Port Size
BV904-614TCDW-0124 (N/C)	12	5.1 (2.3)	6.9 (100)	385 (5584)	462 (6700)	-40 (-40)	149 (65)	13.1#	14.7 (20)	6-8 (87-116)	1/8" BSPP
BV904-614TCDW-012M (N/O)	12										
BV904-624TCDW-0124 (N/C)	16										
BV904-624TCDW-012M (N/O)	16	9.9 (4.5)	6.9 (100)	250 (3626)	320 (4641)	-40 (-40)	149 (65)	30.1	33.2 (45)	6-8 (87-116)	1/8" BSPP
BV908-646TCDW-0148 (N/C)	25										
BV908-646TCDW-014P (N/O)	25										

* Lowest settled gas pressure for which the ball valve is designed. This is the minimum pressure that the product will hold constant bubble tight seal.

** Settled pressure of a compressed gas at a uniform reference temperature of 15°C in a full pressure receptacle for which the valve is intended.

*** Minimum pressure applied to the valve during testing

^ Maximum opening torque at maximum operating pressure.

^^ Required actuator supply pressure to operate Air Torque Actuator.

^^^ TPED-certified to 65 °C, evaluated by Oasis to 85 °C, which exceeds certification scope and must be verified by the system designer.

Rated Cv is based on nominal 1/2" bore ball valve. Different connections may affect overall valve Cv.

(N/C) Normally Closed - Valve is in closed position when no pressure applied to actuator.

(N/O) Normally Open - Valve is in open position when no pressure applied to actuator.

Contact Oasis for further information.



900 Series Air Torque Actuated TPED Ball Valves

DKOS Connection Product Specification

Part Code	Size (DN) Inch (mm)	Mass lb (kg)	Lowest Operating Pressure bar (psi) *	Working Pressure (WP) bar (psi) **	Max Allowable Working Pressure (PT) bar (psi) ***	Min. Temp. °F (°C)	Max Temp. °F (°C)^^^	Cv	Stem Open Torque ft-lb (Nm)^	Actuator Supply Pressure bar (psi) ^^	Actuator Air Supply Port Size
BV904-674TCDW-0124 (N/C)	12	5.1 (2.3)	6.9 (100)	385 (5584)	462 (6700)	-40 (-40)	149 (65)	13.1 [#]	14.7 (20)	6-8 (87-116)	1/8" BSPP
BV904-674TCDW-012M (N/O)	12										
BV904-684TCDW-0124 (N/C)	16										
BV904-684TCDW-012M (N/O)	16										
BV904-694TCDW-0124 (N/C)	20										
BV904-694TCDW-012M (N/O)	20										

* Lowest settled gas pressure for which the ball valve is designed. This is the minimum pressure that the product will hold constant bubble tight seal.

** Settled pressure of a compressed gas at a uniform reference temperature of 15°C in a full pressure receptacle for which the valve is intended.

*** Minimum pressure applied to the valve during testing

^ Maximum opening torque at maximum operating pressure.

^^ Required actuator supply pressure to operate Air Torque Actuator.

^^^ TPED-certified to 65 °C, evaluated by Oasis to 85 °C, which exceeds certification scope and must be verified by the system designer.

Rated Cv is based on nominal 1/2" bore ball valve. Different connections may affect overall valve Cv.

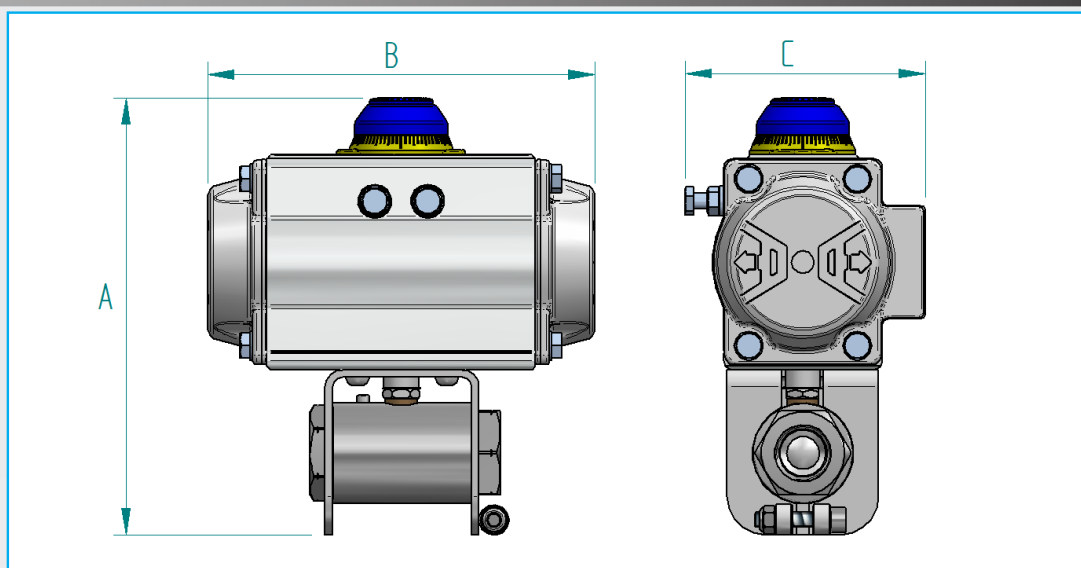
(N/C) Normally Closed - Valve is in closed position when no pressure applied to actuator.

(N/O) Normally Open - Valve is in open position when no pressure applied to actuator.

Contact Oasis for further information.



900 Series Air Torque Actuated TPED Ball Valves



BSP Dimensions Inch (mm)

Part Code	Size	A	B	C	Port Thread	Actuator							
BV902-6B4TCDW-0124 (N/C)	1/4"	6.8 (173)	6.1 (155)	3.74 (95)	1/4" BSPP FEMALE	AT101							
BV902-6B4TCDW-012M (N/O)					3/8" BSPP FEMALE								
BV903-6B4TCDW-0124 (N/C)	3/8"				9.96 (253)		9.45 (240)	4.69 (119)	1/2" BSPP FEMALE				
BV903-6B4TCDW-012M (N/O)									3/4" BSPP FEMALE				
BV904-6B4TCDW-0124 (N/C)	1/2"								9.96 (253)	9.45 (240)	4.69 (119)	1" BSPP FEMALE	
BV904-6B4TCDW-012M (N/O)												1" BSPP FEMALE	
BV906-6B6TCDW-0148 (N/C)	3/4"	9.96 (253)	9.45 (240)	4.69 (119)		3/4" BSPP FEMALE						AT251	
BV906-6B6TCDW-014P(N/O)						1" BSPP FEMALE							
BV908-6B6TCDW-0148 (N/C)	1"				9.96 (253)	9.45 (240)	4.69 (119)	1" BSPP FEMALE					AT251
BV908-6B6TCDW-014P(N/O)								1" BSPP FEMALE					

NPT Dimensions Inch (mm)

Part Code	Size	A	B	C	Port Thread	Actuator							
BV902-6N4TCDW-0124 (N/C)	1/4"	6.8 (173)	6.1 (155)	3.74 (95)	1/4" NPT FEMALE	AT101							
BV902-6N4TCDW-012M (N/O)					3/8" NPT FEMALE								
BV903-6N4TCDW-0124 (N/C)	3/8"				9.96 (253)		9.45 (240)	4.69 (119)	1/2" NPT FEMALE				
BV903-6N4TCDW-012M (N/O)									3/4" NPT FEMALE				
BV904-6N4TCDW-0124 (N/C)	1/2"								9.96 (253)	9.45 (240)	4.69 (119)	1" NPT FEMALE	
BV904-6N4TCDW-012M (N/O)												1" NPT FEMALE	
BV906-6N6TCDW-0148 (N/C)	3/4"	9.96 (253)	9.45 (240)	4.69 (119)		3/4" NPT FEMALE						AT251	
BV906-6N6TCDW-014P(N/O)						1" NPT FEMALE							
BV908-6N6TCDW-0148 (N/C)	1"				9.96 (253)	9.45 (240)	4.69 (119)	1" NPT FEMALE					AT251
BV908-6N6TCDW-014P(N/O)								1" NPT FEMALE					

(N/C) Normally Closed - Valve is in closed position when no pressure applied to actuator.

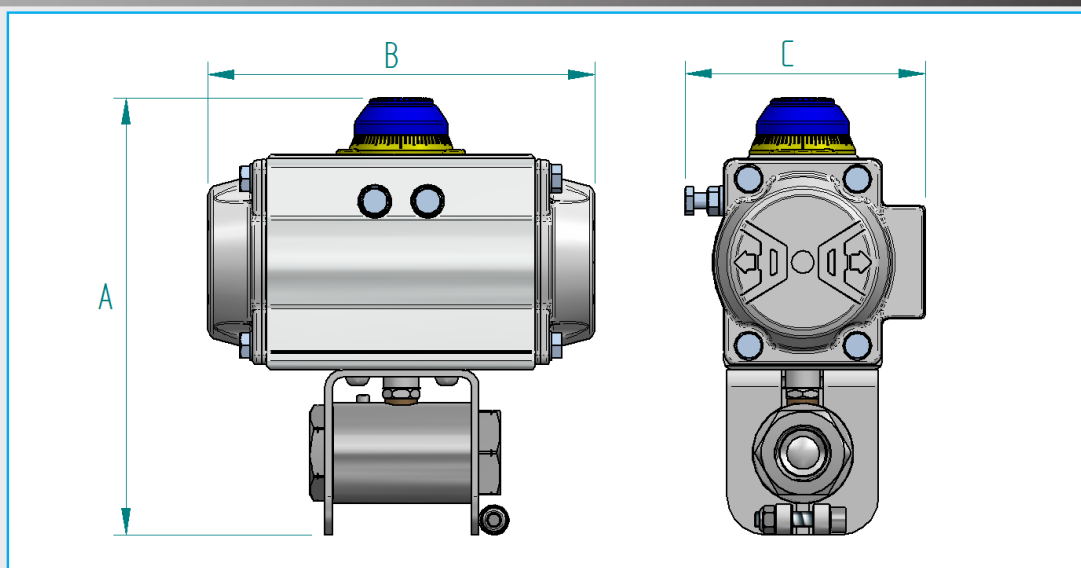
(N/O) Normally Open - Valve is in open position when no pressure applied to actuator.

Other sizes and fittings available on request, contact Oasis for further information.

We reserve the right to modify product specifications without prior notice.



900 Series Air Torque Actuated TPED Ball Valves



SAE Dimensions Inch (mm)

Part Code	Size	A	B	C	Port Thread	Actuator						
BV902-6S4TCDW-0124 (N/C)	1/4"	6.8 (173)	6.1 (155)	3.74 (95)	1/4" SAE FEMALE	AT101						
BV902-6S4TCDW-012M (N/O)					3/8" SAE FEMALE							
BV903-6S4TCDW-0124 (N/C)	3/8"				9.96 (253)		9.45 (240)	4.69 (119)	3/8" SAE FEMALE			
BV903-6S4TCDW-012M (N/O)									1/2" SAE FEMALE			
BV904-6S4TCDW-0124 (N/C)	1/2"								9.96 (253)	9.45 (240)	4.69 (119)	1/2" SAE FEMALE
BV904-6S4TCDW-012M (N/O)												3/4" SAE FEMALE
BV906-6S6TCDW-0148 (N/C)	3/4"	9.96 (253)	9.45 (240)	4.69 (119)		3/4" SAE FEMALE						AT251
BV906-6S6TCDW-014P(N/O)						1" SAE FEMALE						
BV908-6S6TCDW-0148 (N/C)	1"				9.96 (253)	9.45 (240)	4.69 (119)	1" SAE FEMALE				
BV908-6S6TCDW-014P(N/O)												

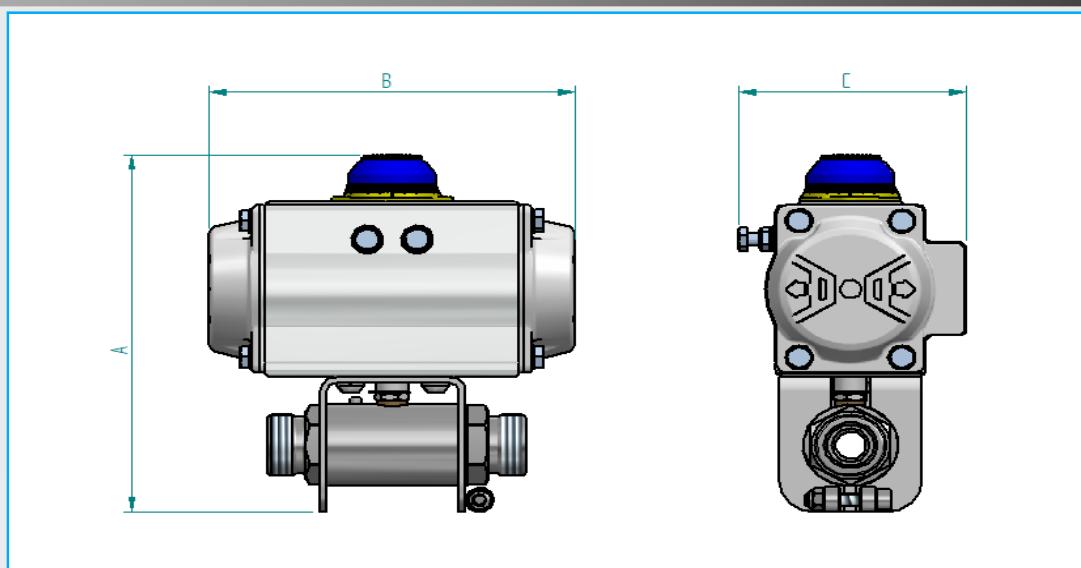
(N/C) Normally Closed - Valve is in closed position when no pressure applied to actuator.

(N/O) Normally Open - Valve is in open position when no pressure applied to actuator.

Other sizes and fittings available on request, contact Oasis for further information.



900 Series Air Torque Actuated TPED Ball Valves



Tube Connections Dimensions Inch (mm)

Part Code	Size	A	B	C	Port Thread	Actuator
BV904-614TCDW-0124 (N/C)	12mm	6.8 (173)	6.1 (155)	3.74 (95)	12mm Tube	AT101
BV904-614TCDW-012M (N/O)					16mm Tube	
BV904-624TCDW-0124 (N/C)	16mm	9.96 (253)	9.45 (240)	4.69 (119)	25mm Tube	AT251
BV904-624TCDW-012M (N/O)					25mm Tube	
BV908-646TCDW-0148 (N/C)	25mm	9.96 (253)	9.45 (240)	4.69 (119)	25mm Tube	AT251
BV908-646TCDW-014P(N/O)					25mm Tube	

DKOS Connections Dimensions Inch (mm)

Part Code	Size	A	B	C	Port Thread	Actuator
BV904-674TCDW-0124 (N/C)	12mm	6.8 (173)	6.1 (155)	3.74 (95)	12mm DKOS	AT101
BV904-674TCDW-012M (N/O)					16mm DKOS	
BV904-684TCDW-0124 (N/C)	16mm	9.96 (253)	9.45 (240)	4.69 (119)	20mm DKOS	AT251
BV904-684TCDW-012M (N/O)					20mm DKOS	
BV904-694TCDW-0124 (N/C)	20mm	9.96 (253)	9.45 (240)	4.69 (119)	20mm DKOS	AT251
BV904-694TCDW-012M (N/O)					20mm DKOS	

(N/C) Normally Closed - Valve is in closed position when no pressure applied to actuator.

(N/O) Normally Open - Valve is in open position when no pressure applied to actuator.

Other sizes and fittings available on request, contact Oasis for further information.