



## 200 Series Manifold Valve - 1/2" & 3/4" - Actuated

### Applications

Dispenser Manifolds, Priority Panels, Emergency Isolation. Suitable for CNG, Bio-Gas and Nitrogen



MV200 Series Manifold Valve with Airtorque Actuator

### Materials

Item	Description	Material
1	Valve Body	304 Stainless Steel
2	Valve Cap	304 Stainless Steel
3	Seat	Delrin
4	Ball	316 Stainless Steel
5	Seat retainer	17-4 PH H1150 Stainless Steel
6	Mounting bolts	Grade 12.9, Steel

Item	Description	Material
6	Gland & Thrust	Delrin
7	Stem	316 Stainless Steel
8	O-rings	Viton/Nitrile
9	O-ring Backup	Nitrile
10	Actuator bracket	304 Stainless Steel
11	Drive dog	316 Stainless Steel

### Product Information

Manifold face seal O-rings included with valve.

All products are manufactured under ISO 9001 accredited standards.

Oasis can create the manifold to your specifications. Talk to Oasis, Engineer 2 Engineer to craft a solution for you.

Complies to PED 2014/68/EU.

More product information available online at [oasisngv.com/](http://oasisngv.com/) resources.

### Features & Benefits

Bolt-on design for manifold applications where minimizing overall footprint and service down time is critical.

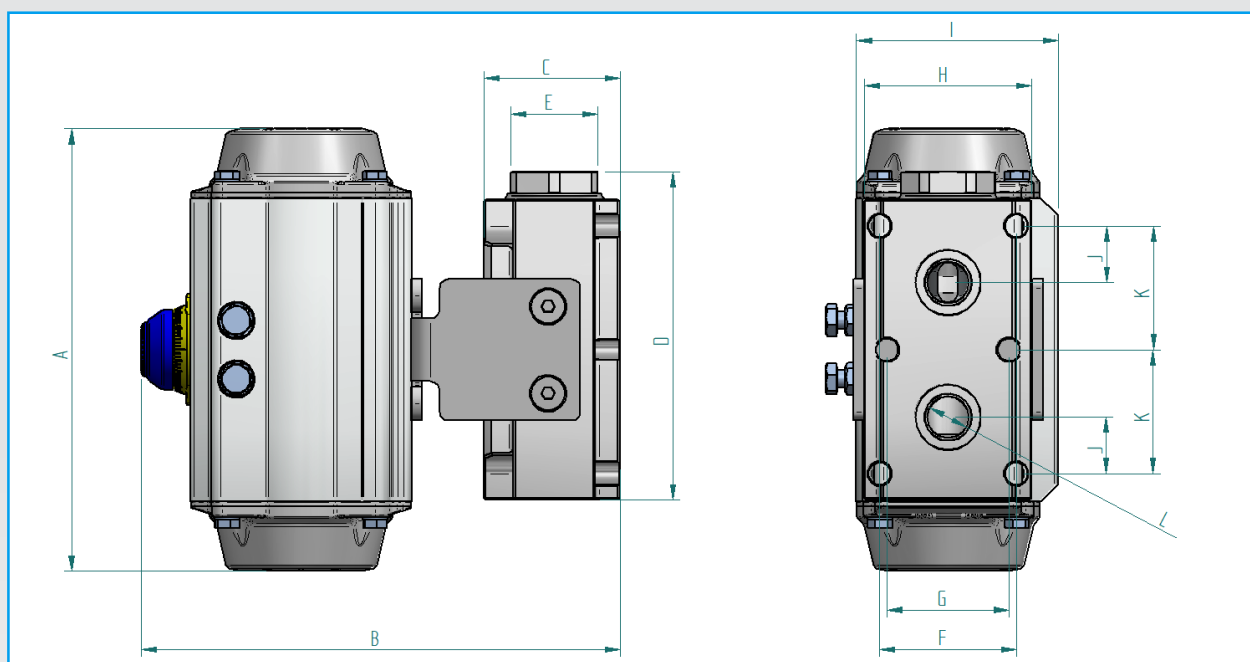
Service kits are easily installed and readily available.

Machined from certified bar stock to give dimensional consistency, ensuring complete sealing with the manifold - every time.

Mounting brackets and drive dogs designed to meet standard ISO pattern, allowing user multiple actuation options.



## 200 Series Manifold Valve - 1/2" & 3/4" - Actuated



### Dimensions. Inch (mm)

Part Code	Size	Bolt thread	A	B	C	D	E (AF)	F	G	H	I	J	K	Ø J	Airtorque Actuator
MV204-4O6SDDW-0124 (N/C)	1/2" (12.7)	M8	6 (154)	8.4 (212)	1.54 (39)	4.71 (119.5)	0.94 (24)	1.73 (44)	1.57 (40)	2.5 (63.5)	3.33 (84.5)	0.708 (18)	1.693 (43)	0.5 (12.7)	AT101
MV204-4O6SDDW-012M (N/O)	1/2" (12.7)	M8	6 (154)	8.4 (212)	1.54 (39)	4.71 (119.5)	0.94 (24)	1.73 (44)	1.57 (40)	2.5 (63.5)	3.33 (84.5)	0.708 (18)	1.693 (43)	0.5 (12.7)	AT101
MV206-4O6SDDW-0146 (N/C)	3/4" (19)	M10	8 (204)	8.7 (221)	2.47 (62.8)	5.95 (151.2)	1.57 (40)	2.48 (63)	2.2 (56)	3 (77)	3.66 (93)	1.02 (26)	2.24 (57)	0.748 (19)	AT201
MV206-4O6SDDW-014N (N/O)	3/4" (19)	M10	8 (204)	8.7 (221)	2.47 (62.8)	5.95 (151.2)	1.57 (40)	2.48 (63)	2.2 (56)	3 (77)	3.66 (93)	1.02 (26)	2.24 (57)	0.748 (19)	AT201

### Product Specification

Part Code	Mass*** lb (kg)	Min. Operating Pressure bar (psi) *	Max. Operating Pressure bar (psi) **	Min. Temp. °F (°C)	Max. Temp. °F (°C)	Cycles Before Rekit ^	Cv	Actuator supply pressure bar (psi)^^	Service Kit
MV204-4O6SDDW-0124 (N/C)	7.5 (3.4)	34.5 (500)	380 (5500)	-40 (-40)	185 (85)	100,000	3.5	6-8 (87-116)	MV204-SK6SDDW
MV204-4O6SDDW-012M (N/O)	7.5 (3.4)	34.5 (500)	380 (5500)	-40 (-40)	185 (85)	100,000	3.5	6-8 (87-116)	MV204-SK6SDDW
MV206-4O6SDDW-0146 (N/C)	17.6 (8)	34.5 (500)	380 (5500)	-40 (-40)	185 (85)	100,000	7	6-8 (87-116)	MV206-SK6SDDW
MV206-4O6SDDW-014N (N/O)	17.6 (8)	34.5 (500)	380 (5500)	-40 (-40)	185 (85)	100,000	7	6-8 (87-116)	MV206-SK6SDDW

\* Minimum system pressure the product will hold constant bubble tight seal.

\*\* Maximum pressure at which the product can constantly operate at.

\*\*\* Mass including specified Airtorque actuator.

^ It is recommended that the manifold valve is re-kitted on or before the maximum number of allowable cycles.

^^ Required actuator supply pressure to operate Air Torque actuator

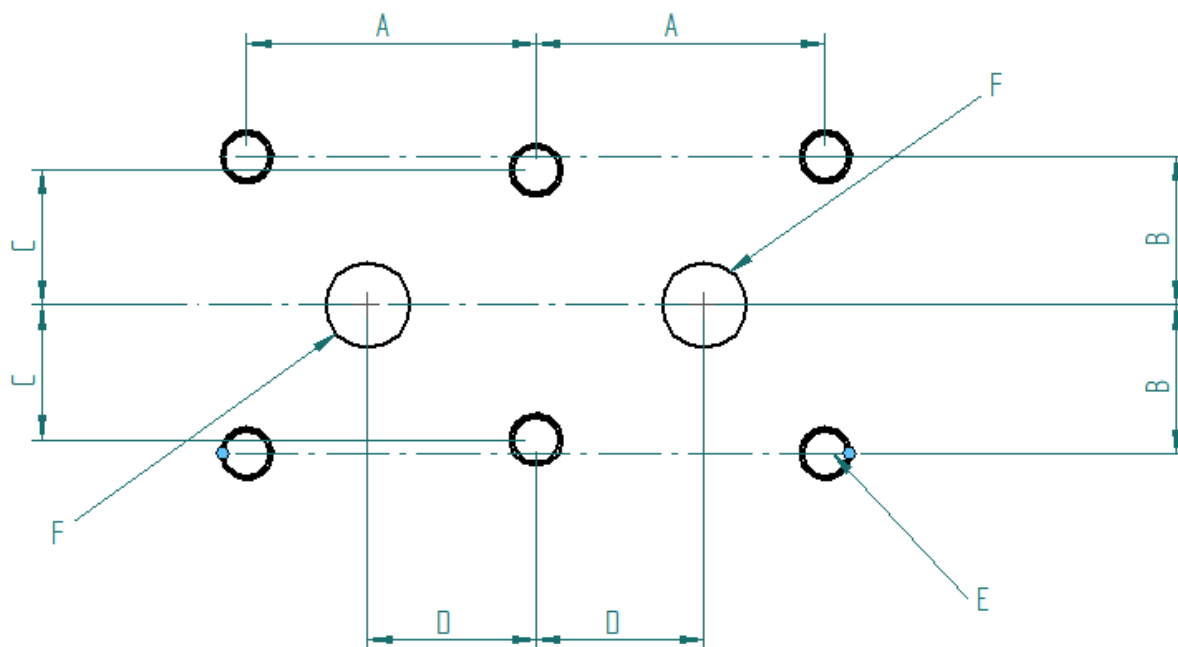
(N/C) Normally Closed - Valve is in closed position when no pressure applied to actuator.

(N/O) Normally Open - Valve is in open position when no pressure applied to actuator.

We reserve the right to modify product specifications without prior notice.



## 200 Series Manifold Valve - 1/2" & 3/4" - Actuated



MV200 Series manifold mating surface recommended dimensions

### Dimensions. (mm)

Part Code	A	B	C	D	E (Thread - 6x bolt holes)	F (Ports)	G (Surface finish)*
MV204-4O6SDDV-0124	43.05 42.95	22.05 21.95	20.05 19.95	25.05 24.95	M8 - min 35 Deep	12.7 (1/2")	0.8 Ra Max
MV206-4O6SDDV-0146	57.05 56.95	31.55 31.45	28.05 27.95	31.05 30.95	M10 - min 35 Deep	19 (3/4")	

\* This surface finish on the sealing face is required for optimum sealing.

The dimensions given are dimensions of the manifold mounting surface, for use with Oasis MV200 Series Manifold Valves. Manifold design, including strength considerations and adherence to relevant standards, as well as testing and certification of the manifold, are the responsibility of the manifold designer.

### Dimensions. (mm)

Part Code	Recommended bolt class	Recommended bolt size
MV204	Class 12.9	M8 x 60mm
MV206	Class 12.9	M10 x 80mm